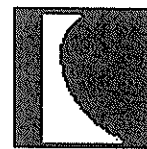


Portable Automatic Gas Cutter



BGB00B08

AUTO PICKLE-II

Automatic Pipe Gas-Cutter

OPERATION MANUAL



For every person who will be engaged in operation and maintenance supervision, It is recommended to read through this manual before any operations, so as to permit optimum operation of this machine.

KOIKE SANSO KOGYO CO.,LTD.

INTRODUCTION

Thank you very much for purchasing this product. Read this instruction manual thoroughly to ensure correct, safe and effective use of the machine. Read the manual first to understand how to operate and maintain the machine.

Cooperation between colleagues in the workplace is essential for safe, smooth operation. Make sure you read, understand and take all necessary safety precautions.

SAFETY PRECAUTIONS










This product is designed to be safe, but it can cause serious accidents if not operated correctly. Those who operate and repair this machine must read this manual thoroughly before operating, inspecting and maintaining the machine. Keep the manual near the machine so that anyone operates the machine can refer to it as necessary.

- Do not use the machine carelessly without following the instructions in the manual.
- Use the machine only after you have completely understood the contents of the manual.
- If an explanation in the manual is difficult to understand, contact our company or sales service office.
- Keep the manual to hand at all times and read it as many times as is necessary for a complete understanding.
- If the manual becomes lost or damaged, place an order with our company or sales service office for a new one.
- When transferring the machine to a new owner, be sure to hand over this instruction manual as well.

QUALIFICATIONS FOR MACHINE OPERATOR

Operators and repair staff of this machine must completely understand the contents of the instruction manual and have either of the following qualifications:

1. Gas welding foremen's license
2. Completion of gas welding training course
3. Approval by the Minister of Labor

Symbol	Title	Meaning
	General	General caution, warning, and danger.
	Be careful not to get your fingers caught.	Possible injury to fingers if caught in the insertion port.
	Caution: Electric shock!	Possible electric shock under special conditions.
	Ground this equipment.	Operators must ground the equipment using the safety grounding terminal.
	Pull out the power plug from the outlet.	Operators must unplug the power plug from the outlet when a failure occurs or when there is a danger of lightning damage.
	Caution against bursting	Possible bursting under certain conditions.
	General	General warning.
	Caution: Hot!	Possible injury due to high temperature under certain conditions.
	Caution: Ignition!	Possible ignition under certain conditions.

CONTENTS

1. Safety Information	1
1.1 General machine safety precautions	1
1.2 Gas cutting safety precautions	3
2. Locations of safety labels	5
3. Outline of machine	6
3.1 Features of machine	6
3.2 Name and function of each part	6
3.3 Specifications	7
4. Preparation for operation	8
4.1 Contents of package	8
4.2 Assembly the machine.....	8
4.3 Preparation for operation	9
5. Cutting operation	12
5.1 Safety measures prior to operation	12
5.2 Ignition and flame adjustment	12
5.3 Cutting and piercing method	13
5.4 Procedures for starting cutting operation and extinguishing flame	13
5.5 Safety measures against backfire and flashback	14
5.6 Cutting operation	14
6. Maintenance and inspection	15
6.1 Disassembly	15
6.2 Daily inspection	15
6.3 3-month or 4000-hour inspection.....	15
6.4 6-month Inspection	15
7. Trouble shooting	16
8. Wiring diagram	18
9. Assembly drawing of AUTO PICLE II	19
10. Parts list	20
10.1 Main unit	20
10.2 Driving unit	22
10.3 Electrical and gas unit.....	24
11. Cutting Data	26

1 Safety information

Many accidents are caused by operation, inspection, and maintenance which disregard the basic safety rules. Carefully read, understand, and master the safety measures and precautions described in this instruction manual and on the machine before operating, inspecting and maintaining the machine. The safety messages are classified as follows for machine safety labels:

■ WARNING

This word is used in a warning message and a warning label at places that could cause injury or serious accident.

■ CAUTION

This word is used in a caution message and a caution label at places that could cause slight injury or machine damage. This is also used as a caution for frequent dangerous actions.

■ NOTICE SIGNS

This is a sign to show machine operators and maintenance engineers items that relate directly to damage of machines and surrounding facilities and equipment.

1.1 General machine safety precautions

Read and fully understand the following important safety information:

1.1.1 Machine safety

- 1.The machine casing is mainly made of aluminum alloy to reduce weight. For this reason, be careful not to drop a heavy item on the machine, or not drop the machine when carrying it since the alloy is not designed to withstand such impact.
- 2.When mounting hoses to the torch and distributor, tighten the nut with the attached wrench. After mounting, be sure to check there is no gas leak with a detection liquid. If a gas leak is found, retighten the nut firmly.
- 3.When fixing a tip to the torch, tighten the nut with the two wrenches attached. In addition, avoid damaging the taper of the tip since this may cause backfire.
- 4.Never disassemble the machine other than during maintenance and inspection. Otherwise, malfunction will result.
- 5.Never remodel the machine. Remodeling is very dangerous.
- 6.When changing the direction, make sure that the direction switch is in the neutral (stop) position, and operate the direction switch after the machine has stopped.
- 7.Always turn the power off when not in use.
- 8.Never use the machine outdoors when the weather is wet. This will cause failure of the machine and could cause a fatal accident by electric shock.

1.1.2 Safety clothing

- 1.Be sure to wear protectors gauntlets, goggles, helmet, and safety shoes during operation.
- 2.Avoid operating the machine with wet clothes or hands in order to prevent electric shock.

1.1.3 Operation and handling safety precautions

1. Read this instruction manual before operating the machine.
2. Mount and center the machine correctly and confirm correct motion before operation.
3. Before connecting the power plug to the outlet, make sure that the power switch is in the OFF position (or the normal / reverse changeover switch is in the stop position).
4. Prior to operating the machine, check the safety of the surroundings to avoid accidents.
5. Never move the machine while the preheat flame is on.
6. Take great care of spatters and dross when operating the machine at a high position. They may injure people below.
7. Do not hit any object against the surface of the wheel to be in touch with pipes or drop the wheel so as not to scratch the surface; otherwise knocking will result.
8. Week chain tension will make the machine slip. Give an appropriate tension to the chain.
9. Be careful no to get your hand caught between the upper plate and slide bracket.
10. When stretching the chain, be careful not to get your hand caught in the wing bolt.
11. Do not insert your hand into rotary sections (sprocket and wheel).
12. Be careful not to drop the machine when changing the chain.
13. Do not use deformed or rusted chains; otherwise the chain may be disengaged.
14. Do not mistake the top and bottom sides of the chain.
15. The number of chains must match the pipes.
16. Be careful not to damage the wheel.
17. The planer deflection due to a worm wheel causes curved cutting surfaces and discrepancy between the first and last cutting positions.
18. Do not place the machine on pipes when it is unused.
19. Be sure to hold the handle when carrying the machine.

1.1.4 Electrical system precautions



1. Be sure to check the input power voltage of the machine before operation. The input power voltage should be in the range of $\pm 10\%$ of the rated voltage. The machine should not be operated out of this range.
2. The metal plugs are screw-threaded, therefore, fully tighten them so that they will not come loose during operation.
3. The ground pin is attached to the rubber plug of a cable. Please use a power receptacle with a ground pin opening.
4. **Stop operation and turn off the power in the following cases, and ask a qualified electrician to repair the machine.**
 - 1) Broken or abraded cables
 - 2) Water leakage from the machine or liquid damage to the machine
 - 3) Abnormal machine operation despite operating the machine according to the instruction manual
 - 4) Machine breakdown
 - 5) Poor machine performance that requires repair
5. Periodically inspect the electrical system.



1.1.5 Maintenance and inspection precautions



1. Ask a qualified electrician to perform repair and inspection service.
2. Disconnect the power plug before inspecting and repairing the machine.
3. Maintain the machine periodically.

1.2 Gas cutting safety precautions

Strictly observe the safety rules and precautions to ensure the safety of gas cutting operations. Operators and supervisors MUST keep safety in mind.

1.2.1 Prevention of explosion



1. Never cut pressurized cylinders or hermetically sealed containers.
2. Ensure sufficient ventilation for gas cutting to prevent the air from becoming stale.

1.2.2 Pressure regulator safety precautions



1. Before starting operation, check that all pressure regulators are operating correctly.
2. Ask a skilled repair engineer to perform maintenance and inspection service.
3. Do not use pressure regulators from which gas is leaking, nor malfunctioning pressure regulators.
4. Do not use pressure regulators smeared with oil or grease.

1.2.3 High-pressure gas cylinder safety precautions



1. Never use broken cylinders or cylinders from which gas is leaking.
 2. Install cylinders upright and take measures to prevent them from falling.
 3. Use cylinders only for specified purposes.
 4. Do not smear container valves with oil or grease.
 5. Install cylinders in a place free from heat, sparks, slag, and naked flame.
 6. Contact the distributor if the container valves will not open.
- Never use a hammer, wrench, or other tools to forcibly open container valves.

1.2.4 Safety precautions for hoses



1. Use the oxygen hose for oxygen gas only.
2. Replace cracked hoses or other hoses damaged by sparks, heat, unshielded fire, etc.
3. Install hoses without twisting.
4. To prevent breakage of hoses, take great care during operation and transportation.
5. Do not hold the hoses when moving the machine.
6. Periodically check the hoses for damage, leakage, fatigue, loose joints, etc. to ensure safety.
7. Cut hoses to the minimum possible length. Short hoses reduce hose damage and pressure drop, as well as reduce the flow resistance.

1.2.5 Safety precautions for fire



Take safety precautions to prevent fire prior to gas cutting. Ignoring hot metal, sparks, and slag could cause a fire.

1. Keep a fire extinguisher, fire extinguishing sand, bucket full of water, etc. ready on the site where gas cutting is performed.
2. Keep flammables away from the cutting area to avoid exposure to sparks.
3. Always cool steel plates that have become hot after cutting, as well as hot cut parts or scrap, before bringing them close to flammables.
4. Never cut containers to which flammable materials are stuck.

1.2.6 Safety precautions for skin burns

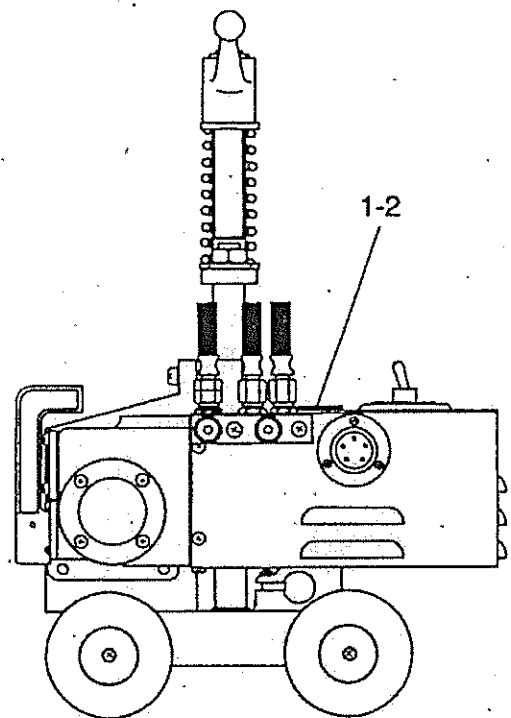
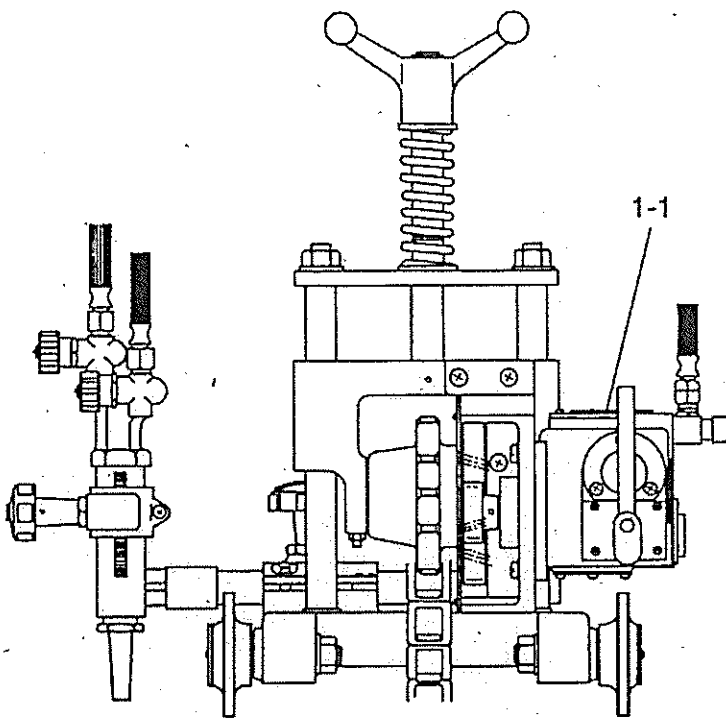


Observe the safety precautions to prevent skin burns. Ignoring heat, spatter, and sparks during operation could cause a fire or burned skin.

1. Do not perform cutting near flammables. (Move flammables well away from the sparks.)
2. Do not cut containers filled with flammables.
3. Do not keep lighters, matches, and other flammables nearby.
4. Flames from the torch will burn skin. Keep your body away from the torch and tip, and check the safety before operating the switches and valves.
5. Wear the correct protectors to protect your eyes and body.
6. Correctly tighten the tip to prevent backfire.
 - When fixing a tip to the torch, tighten the nut with the two wrenches attached.
 - If the tip is tightened excessively, it will be heated during cutting and tightened still more, making it difficult to remove the tip.
 - Avoid damaging the taper of the tip since this may cause backfire.
7. Check with soapsuds for any leakage of gas from the connection part of the distributor, hose, and torch. Never use oil or grease on the connection of the oxygen pipe to avoid backfire which may lead to explosion.
8. Be sure to check the following when igniting:
 - Place the torch on the torch holder before igniting.
 - Always wear the required protectors (gauntlets, goggles, helmet, etc.)
 - Check for any obstacles, dangerous materials and flammables near or in the direction of cutting. Determine the gas pressure.
 - The gas pressure must be within the appropriate range. (For the gas pressure, refer to the Cutting Data.)
9. The torch, tip, and heat shield are heated to a very high temperature. Always wear gauntlets when handling them. Also the surface after cutting is very hot so do not touch it even while wearing gauntlets.
10. Never move the machine while the preheat flame is on.

2 Locations of safety labels

Safety labels and other labels for correct operation are affixed to the machine.
 Carefully read the labels and follow the instructions on them when operating the machine.
 Never remove the labels. Keep them clean and legible at all times.



AUTO-PICLE-II	
SERIAL NO.	<input type="text"/>
CUTTING CAPACITY (MM)	<input type="text"/>
CUTTING SPEED (MM MIN)	100 ~ 700
VOLTAGE(V) AC	<input type="text"/>
KOIKE SANSO KOGYO CO., LTD.	
MADE IN JAPAN	

NET WEIGHT	<input type="text"/>	Kg
------------	----------------------	----

1-1

1-2

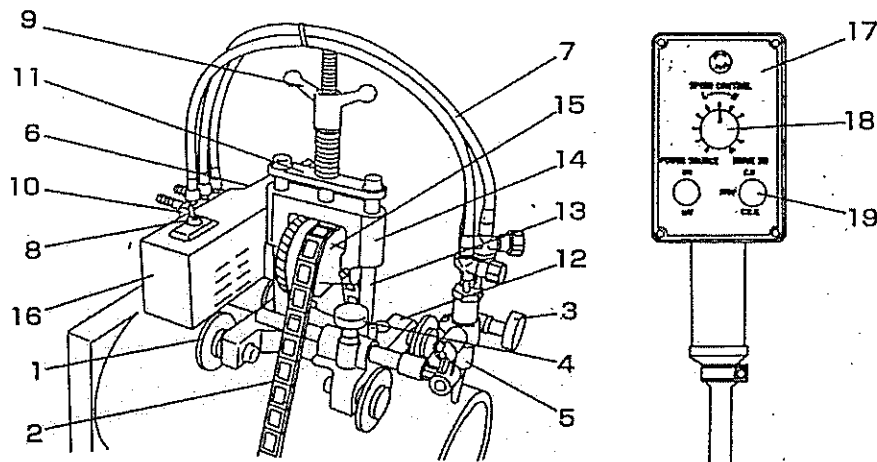
3 Outline of machine

3.1 Features of the machine

AUTO PICLE II is a compact pipe cutter developed on the basis of the thoroughgoing examination of the actual conditions of pipeline installation work sites. Exhibiting its excellent performance in cutting pipes of various sizes to specified length and in bevel cutting, which are major job of pipe processing, the machine is habitually used by many users.

3.2 Name and function of each part

The machine is composed of the following parts:



1.Wheel

Four wheels permit the machine to run stably on pipes.

2.Chain

The machine attached to the rail runs along the chain.

3.Torch up/down handle

Changes the torch height.

4.Cross feed handle

Changes the horizontal position of the torch.

5.Torch

Cutting thickness: 5-50cm

6.Gear box

Voltage control by means of a speed controlling resistor permits stepless speed change.

7.Hose

Installed between the gas distributor and the torch.Three hoses for preheating oxygen, preheating gas, and cutting oxygen are combined as a set.

8.Motor switch

Power switch for the motor

9.Tightening handle

Tighten the handle to secure the machine and pipe.

10.Gas distributor

Division into preheating oxygen, preheating gas, and cutting oxygen.

11.Clutch lever

Used to let the machine run.

12.Main unit

13.Shaft column

14.Sprocket

15.Slide bracket

16.Motor

15W; 5000rpm

17.Control box

Permits remote control.

18.Speed control knob

For controlling the cutting speed from 100 to 700 mm/min.

19.Direction changeover switch

For switching forward and backward traveling.

3.3 Specifications

Weight	15kg
Machine size	270 × 230 × 400
Power source	± 10%
Speed control	control with dial operation
Cutting speed	100~700mm/min
Cutting thickness	50mm
Bevel angle	0-45°
Tip	102(for acetylene) 106(for propane) #0,1,2
Gas	oxygen, acetylene gas, or LPG gas
Pipe cutting diameter	φ 150~ φ 600

●Accessories

• Tip102(for acetylene) 106(for propane) #0,1,2	each 1 pc
• Tip cleaner	1set
• Spanner(A,B,C)	1set
• Lighter	1pc
• Fuse(1A)	2pcs
• Chain(80pcs)	1set
• Control box	1set

4 Preparation for operation

4.1 Contents of package

The standard pack contains the parts shown below. Check them before assembling.

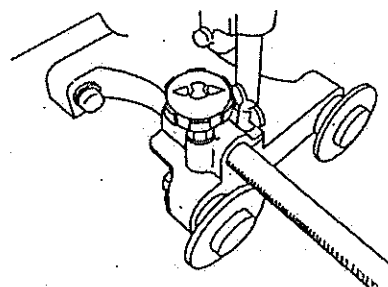
• Body	1set
• Gas distributor	1set
• Torch	1pc
• Torch holder	1set
• Hose	
Distribution hose(3pcs set:600L)	1set
Bar	1pc
• Control box	1set
• Tip102(for acetylene) 106(for propane) #0,1,2	each 1 pc
• Tip cleaner	1set
• Screw driver	1pc
• Spanner(A,B,C)	1set
• Fuse(1A)	2pcs
• Chain(80pcs)	1set
• Lighter	1pc

4.2 Assembling the machine

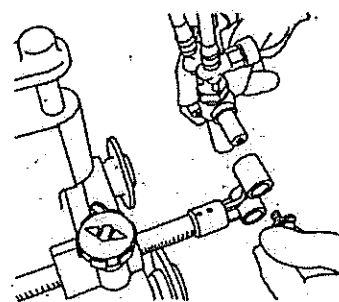
1. Take out the main unit from the box.

2. Connection of horizontal bar and torch
(Tool: Phillips type screwdriver)

Insert the horizontal bar into the slide holder of the main unit and tighten the wing bolt(M6 x 20) and screw.



3. Remove the washer and wing bolt from the torch holder, insert the torch holder into the torch holder receiver, put the washer back, and tighten the torch holder with the wing bolt.



4.3 Preparation for operation



4.3.1 Connection of power cable

1. Insert the metal plug(7p) of the control box into the metal socket(7p) of the machine.
2. Connect the rubber plug on the power supply side. (Never forget grounding.)
3. The metal plugs are screw threaded, therefore, fully tighten them so that they will not come loose during operation.

4.3.2 Connecting the gas supply hose

1. Connect the respective gas supply hoses to the primary hose.
2. Securely tighten the joints and check there is no gas leak.

4.3.3 Connecting the tip

1. Select a proper tip according to the thickness of the steel plate and attach it to the torch.
(To select a tip, refer to the table of cutting data.)
 - When fixing a tip to the torch, tighten the nut with the two wrenches attached.
 - If the tip is tightened excessively, it will be heated during cutting and tightened still more, making it difficult to remove the tip.
 - In addition, avoid damaging the taper of the tip since this may cause backfire.

4.3.4 Determination of number of chains

The relationship between the pipe O.D. and the number of chains is as follows:

$$y = x + 11$$

where, y = The number of chains

x = Pipe O.D. (Unit: cm; Round off the value in mm to the next value in cm.)

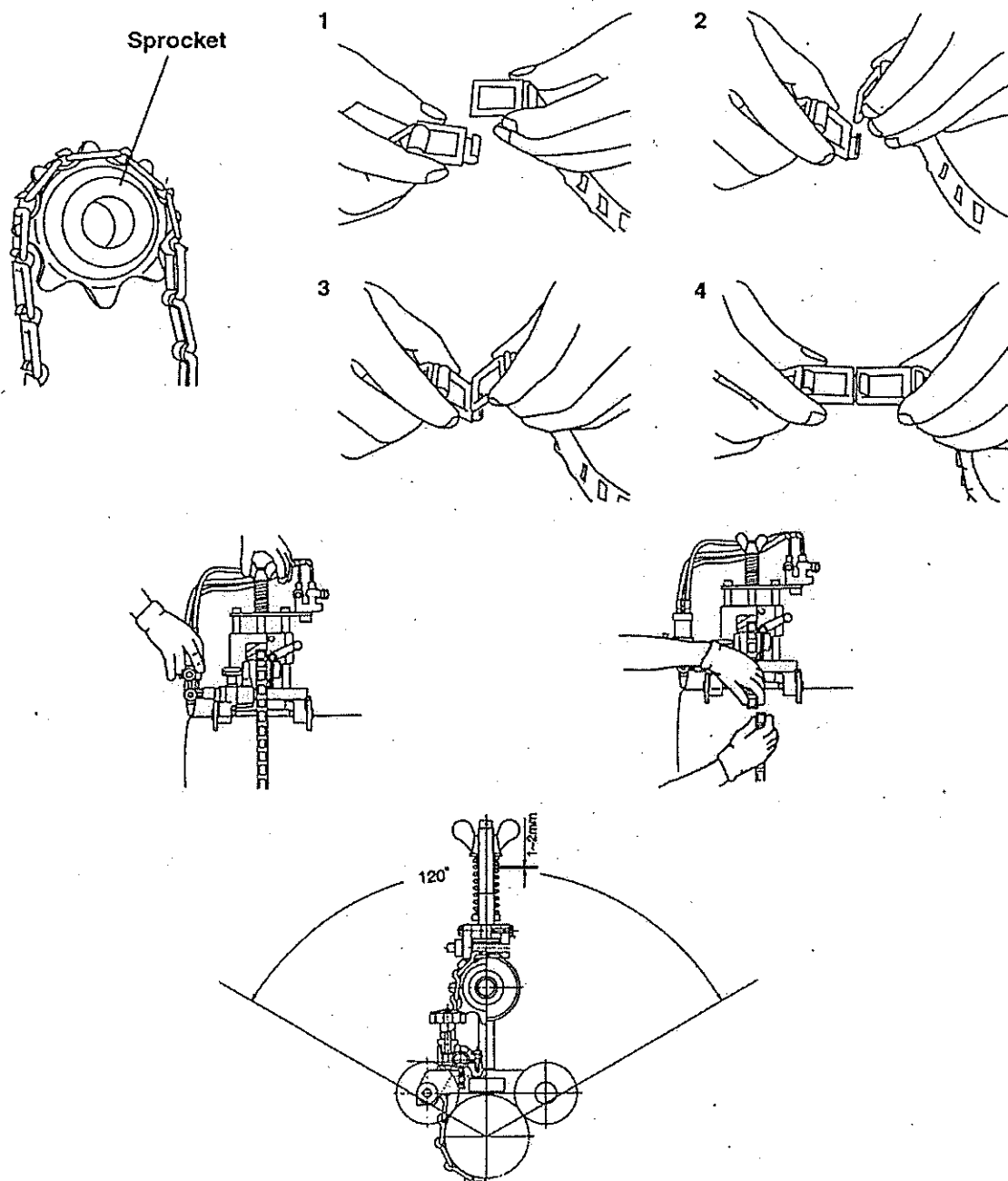
For example, pipe O.D. 114.3 mm 11.43 cm 12

$$\begin{aligned} y &= x + 11 \\ &= 12 + 11 \\ &= 23 \end{aligned}$$

Therefore, about 23 chains are necessary.

4.3.5 Securing machine to pipe

1. Calculate the necessary number of chains, place the main unit on the pipe to cut, and turn the tightening handle counterclockwise to lower the slide bracket.
2. Engage the chain with the sprocket and attach the chain as shown in the figure to set it on the pipe. (Do not confuse the right side of the chain with its wrong side.)
3. Turn the tightening handle clockwise and fix the main unit to the pipe. When turning the tightening handle, exercise care so that the spring will not be in close contact, leaving a clearance of 1-2 mm.
4. To avoid a chain engagement error or chain loosening, hold the machine by hand, disengage the clutch, and turn the handle to the right and left within the range of approx. 120 degrees two or three times, tensioning the chain gradually.
5. After setting, turn the handle by one turn, and check to see if the hose length is sufficient and the nozzle returns to the original position.



4.3.6 Trial operation

After setting, turn the machine once to check the secured condition of the machine and the length of hoses and cabtyre cable.

The machine can be turned automatically or by hand in the manual mode after disengaging the clutch.

■ Automatic turning

Final operation can be checked by means of the main unit of the machine or the operation box.

- **Main unit**

Turn on the rotational direction switch in the operation box, and operate the motor switch on the main unit of the machine for final operation.

- **Operation box**

Turn on the motor switch on the main unit, and operate the rotational direction switch in the operation box for final operation.

While the machine is traveling, adjust the cutting speed.

■ Manual turning

In the case of the manual mode, disengage the clutch of the drive unit, and gently turn the machine while holding it by hand.

Be sure to engage the clutch after completely confirming the operation.

5 Cutting operation



5.1 Safety measures prior to operation

5.1.1 Grounding the machine



The cable of this machine is equipped with a grounding wire. For safety, be sure to ground the wire as follows, in addition to checking the connection of the power cable.

■ Method to ground the machine

- The ground pin is attached to the rubber plug of a cable cord. Please use a power receptacle with a ground pin opening.

5.1.2 Selection of tip

Referring to the Cutting Data, select the suitable tip according to the plate thickness.

For a heavily rusted plate or for a bevel cutting angle of more than 20° , select the tip one grade higher than the one shown in the Cutting Data.

5.1.3 Operation of running direction changeover switch



- By changing the direction switch, the machine can move forward and backward. The stop position on the switch is the stop position of the machine.
- When changing the direction, make sure that the direction switch is in the stop position, and operate the direction switch after the machine has stopped.
- Be sure that the switch is in the stop position before starting the machine.
- Make sure that the switch is in the stop position before turning the power on. If the switch is in the forward or backward position, the machine will start as soon as the power is turned on, which could cause serious accidents.
- Never put your hands in the space between the guide roller and rail, as well as between the body and the rail, while the machine is running, otherwise, your hands may be caught.

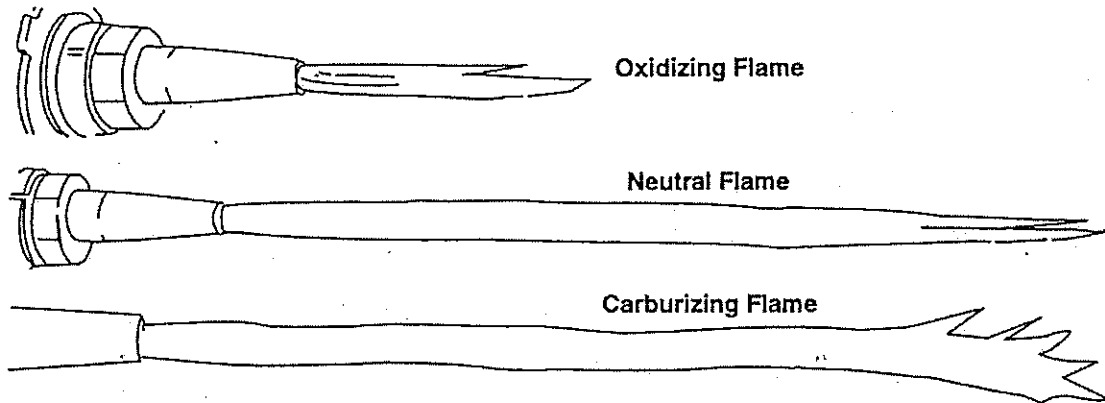
5.2 Ignition and flame adjustment

- Adjust the gas pressure according to the Cutting Data. The data shows the pressure when all the valves are open. Readjust the pressure after ignition.

■ Flame adjustment method

1. Open the fuel gas valve 1/4 to 1/2 a turn, and light the torch with an igniter.
2. Then, open the preheating oxygen valve gradually until a white cone of the standard flame has been obtained. (The incandescent area should be uniform and about 5-6 mm (3/16-1/14") in length.)
3. Open the jet oxygen valve fully. Readjust the flame if its condition has changed. A disorderly flow of the jet oxygen will adversely affect the quality of the cutting surface. In such a case, clean the tip with a suitable cleaning needle while the jet oxygen is flowing.
4. Appropriate distance between the tip end and cutting surface:
 - Acetylene gas 8-10 mm
 - LPG gas 5-8 mm

Neutral flame ensures a good quality cut surface. (Oxidized flames may be used for bevel cutting.)
 The oxidized flame shortens the cutting oxygen flow, causing slug deposition or melting the upper edge of the cut surface. Excessively high cutting oxygen pressure will cause the same effect.



5.3 Cutting and piercing method

1. Cut in from the end of steel plate.
2. Pierce steel plate before cutting.
3. Drill a hole before cutting.

■ Piercing method

- 1) Ignite and adjust the flame.
- 2) Thoroughly preheat the cut in point until it is white hot.
- 3) Open the cutting oxygen valve to pierce the steel plate. The tip should be about 15-20 mm from the plate to prevent slag from splashing onto the tip and adhering there, which will shorten the working life of the tip.

5.4 Procedures for starting cutting operation and extinguishing the flame

1. Align the tip with the cutting start point, ignite, and then adjust the flame.
2. Sufficiently preheat the cutting start point.
3. After preheating, supply oxygen and simultaneously turn on the motor switch or the turning direction switch to start cutting.
4. Carefully check the cutting condition, and control the cutting speed with the speed adjuster. For the cutting speed, refer to the Cutting Data.
5. Extinguish the flame after cutting as follows:
 - 1) Turn off the motor switch (or turning direction switch).
 - 2) Close the cutting oxygen valve.
 - 3) Close the preheating oxygen valve.
 - 4) Close the fuel gas valve.

5.5 Safety measures against backfire and flashback



5.5.1 Prevention of backfire



Backfires may cause serious accidents or fires. Be careful to prevent such disaster. When a backfire occurs, find the cause and inspect and maintain the machine correctly before using the machine again.

The following are causes of backfire:

- 1) Improper gas pressure adjustment
- 2) Overheated tip
- 3) Slag clogged in tip
- 4) Damage to the tapered section of the tip or torch will cause backfire.

5.5.2 Prevention of flashback



Flashback could cause fire and break the machine. Should there be a hissing sound in the torch, quickly take the following action:

- 1) Close the preheating oxygen valve.
- 2) Close the fuel gas valve.
- 3) Close the cutting oxygen valve.

Should flashback occur, find the cause and take appropriate action before using the machine again.

5.6 Cutting operation

1. Attach the chain to the section to cut, and align the tip with the cutting start-up point.
2. Bring a flame close to the tip for ignition and ensure sufficient preheating.
3. Open the cutting oxygen valve and turn on both motor switch and directional changeover switch simultaneously to begin cutting.
4. While checking the cutting condition, select the optimal cutting speed with the speed adjuster.
5. After cutting, turn off the switch and close the cutting oxygen valve, fuel gas valve, and preheating oxygen valve in this order.
 - * Thereafter, repeat operations from step 1.

6 Maintenance and inspection

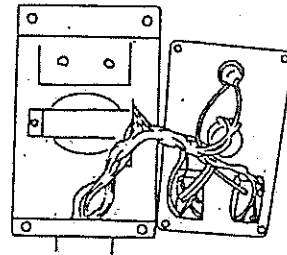
Refer to the following for inspection and maintenance of the machine, and operate the machine under the best condition at all times.

6.1 Disassembly

6.1.1 Disassembly for maintenance and inspection of electric parts

■ Control box

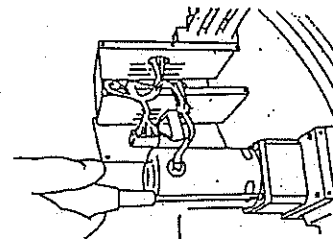
Remove the four (+) round head screws (M4 x 6) that are securing the operation panel sheet, and the maintenance and inspection of electric parts will be possible as shown in the figure.



■ Motor

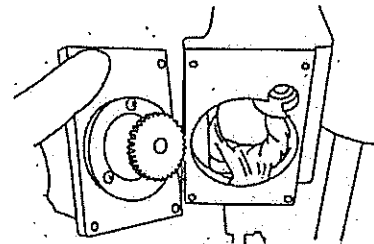
Remove the four (+) round head screws (M4 x 6) and four (+) round head screws (M3 x 6) that are securing the motor covers A and B, and remove the motor cover.

By removing the four (+) round head screws (M4 x 16) that are securing the motor, maintenance and inspection of the motor will be possible as shown in the figure.



6.1.2 Disassembly for maintenance and inspection of gear case

Disassemble the gear case in the same manner as the maintenance and inspection of the motor in item 6.1.1, remove the four (+) round head screws (M6 x 16) that are securing the casing, and supply notemp grease to the gear case.



6.2 Daily inspection

Oil the threaded section of the lift shaft and the sliding section of the shaft column every week.

6.4 6-month inspection

Disassemble, clean, and oil the gear case. Refer to 6.1.2 for the disassembling procedure.

7 Troubleshooting

1) The machine will not move. (The motor will not run.)

Cause	Inspection point	Correction
1) Power is not supplied.	Check the power supply. Check the connections.	Replace the power supply if it is defective.
2) Fuse blown	Check the 1A fuse in the control box to see if it has blown.	Replace the blown fuse.
3) Disconnection of power cable	Check the cable with a tester. "∞" Indicates disconnection.	Repair the disconnected cable.
4) Poor connection	Check that lead wires are correctly connected to the terminal block.	Connect the wires again.
5) Defective switch	Remove the switch and check for continuity between terminals with a tester.	Replace the switch if it is defective.
6) Defective speed controlling resistor	Check with a tester that the Resistance is 50 kΩ.	Replace the resistor if it is defective.
7) Disconnection of lead wire	Check for continuity between the lead wires with a tester.	Replace disconnected lead wires.
8) Defective motor	If all the above items are normal, the motor is defective.	Repair or replace the motor with a new one.
9) Defective controller	If all the above items are normal, the controller is defective.	Replace the defective controller.

Note:

Protection of the over load.

When the motor was locked by any reason, the motor rotation will be stopped after about four second.

(Recovery: Please turn on the power supply again.)

2) Speed cannot be controlled. (The motor runs.)

Cause	Inspection point	Correction
1) Defective speed control resistor	Remove the connector of control and apply the probes of a tester to resistor terminals ② and ① or ② and ③. If the pointer continuously moves from 0 to 50 kΩ when the handle is turned slowly, the resistor is normal.	Replace the defective resistor.
2) Defective controller	When 1) is normal, the controller is defective.	Replace the defective controller.

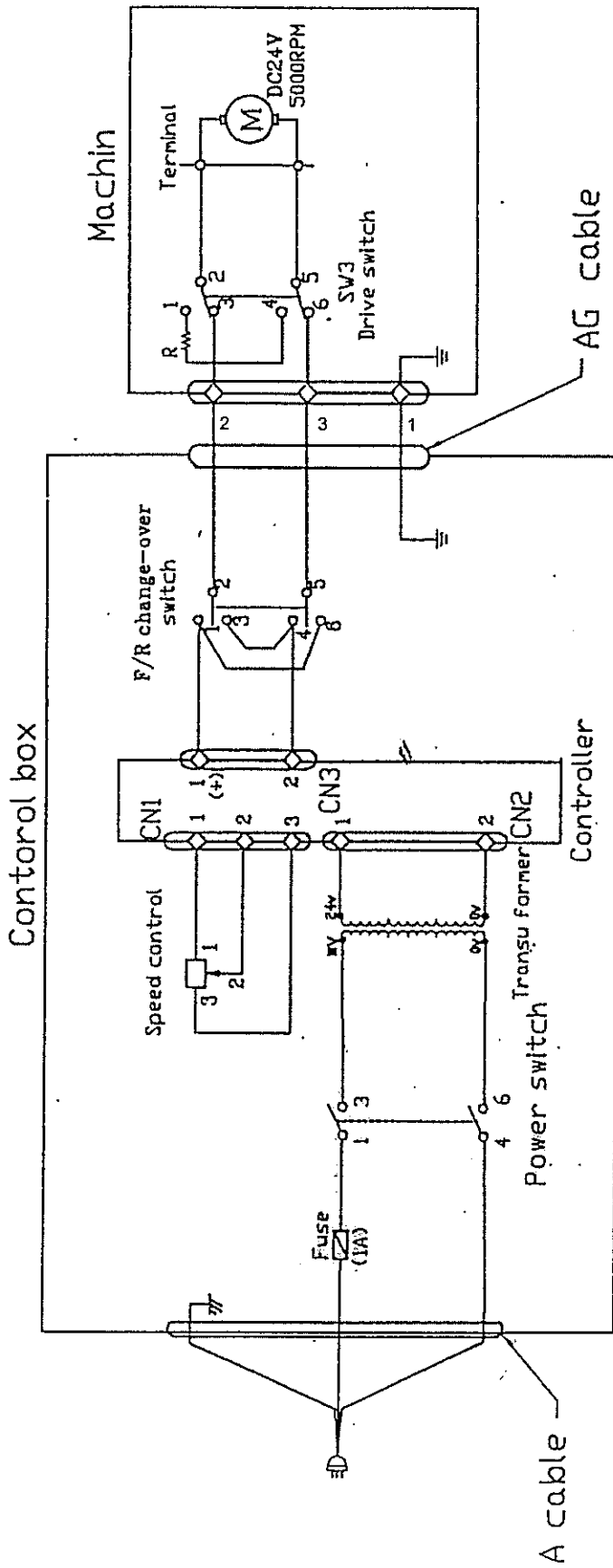
3) The machine will not move. (The motor runs.)

Cause	Inspection point	Correction
1) Malfunction	Remove the speed reducer box to check the clutch operation.	Disassemble and clean.
2) Idle rotation of reduction gear	The reduction gear is rotating idly when the motor keeps running even if the direction changeover switch is turned on or the drive wheel is stopped by hand.	Replacement of gears(set).

4) The machine runs incorrecly

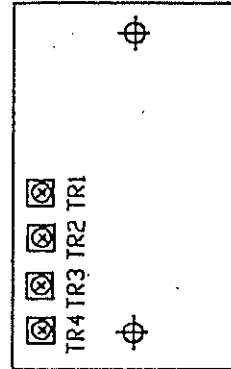
Cause	Inspection point	Correction
1) The speed is too fast.	The supply voltage is abnormal.	Check the voltage.
2) Low speed is not possible.	①Speed control resistor is defective.	Replace with a new one.
	②Defective wiring	Correct the wiring.
	③Defective motor	Repair or replace the motor with a new one.
	④Defective controller	Replace with a new one.
3) High speed is not possible.	When the supply voltage has dropped.	Check with a tester.
4) Knocking occurs.	①Abrasion of gears	Replace.
	②Abrasion of clutch key	Replace or repair.
	③Excessive play between shaft and drive wheel.	Replace or repair.
	④Hoses or cabtire cords hinder smooth running.	Consider during operation.
	⑤Flaws on the drive and drive wheel or adhesion of foreign material.	Replace or repair.

8 Wiring diagram

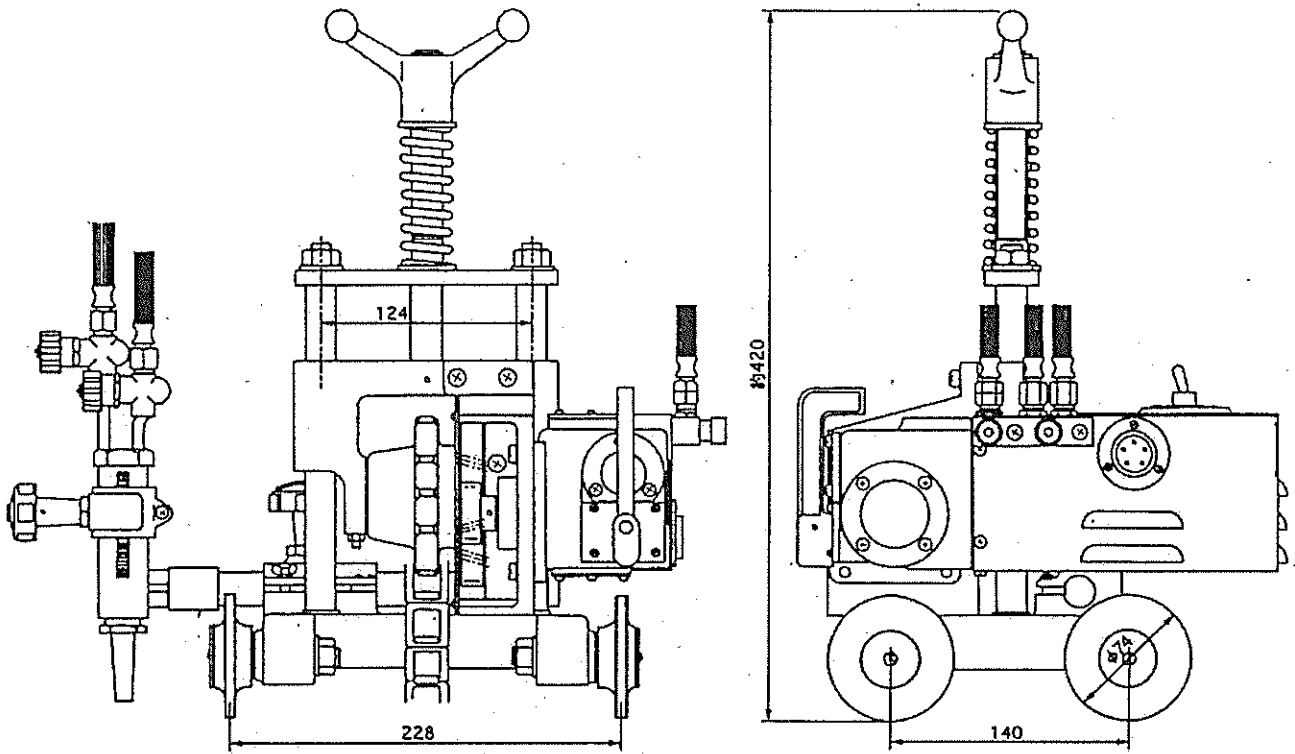


SUPPLY VOLTAGE	TRANSFORMER Connection	
	PRIMARY	SECONDARY
100V	100V	24V
110V	120V	
120V	120V	
200V	220V	
222V	220V	
230V	230V	
240V	240V	
42V	42V	

Controller adjust
 TR1 : SPEED MAX.
 TR3 : SPEED MINI.

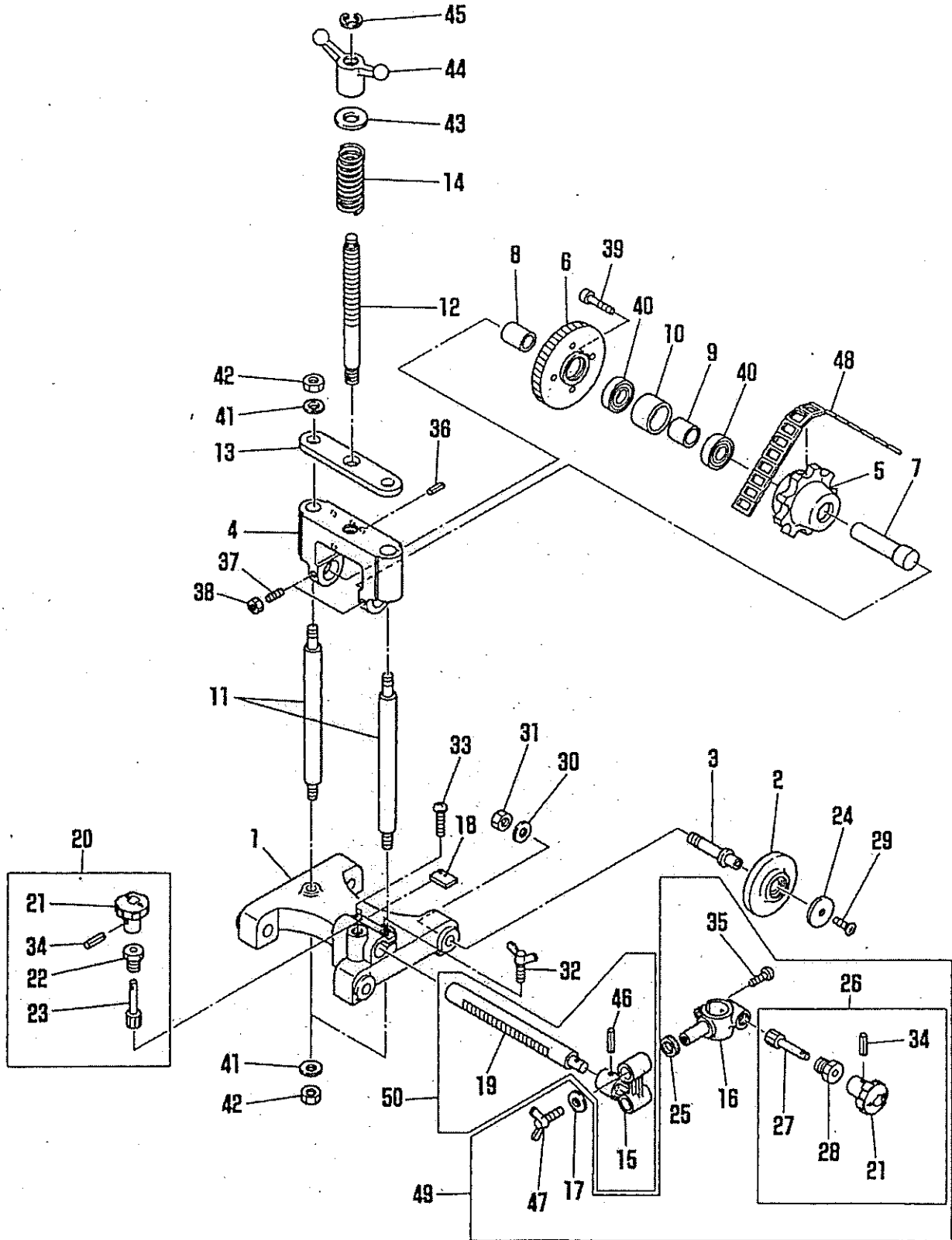


9 Assembly drawing of AUTO PICLE-II



10 Parts list

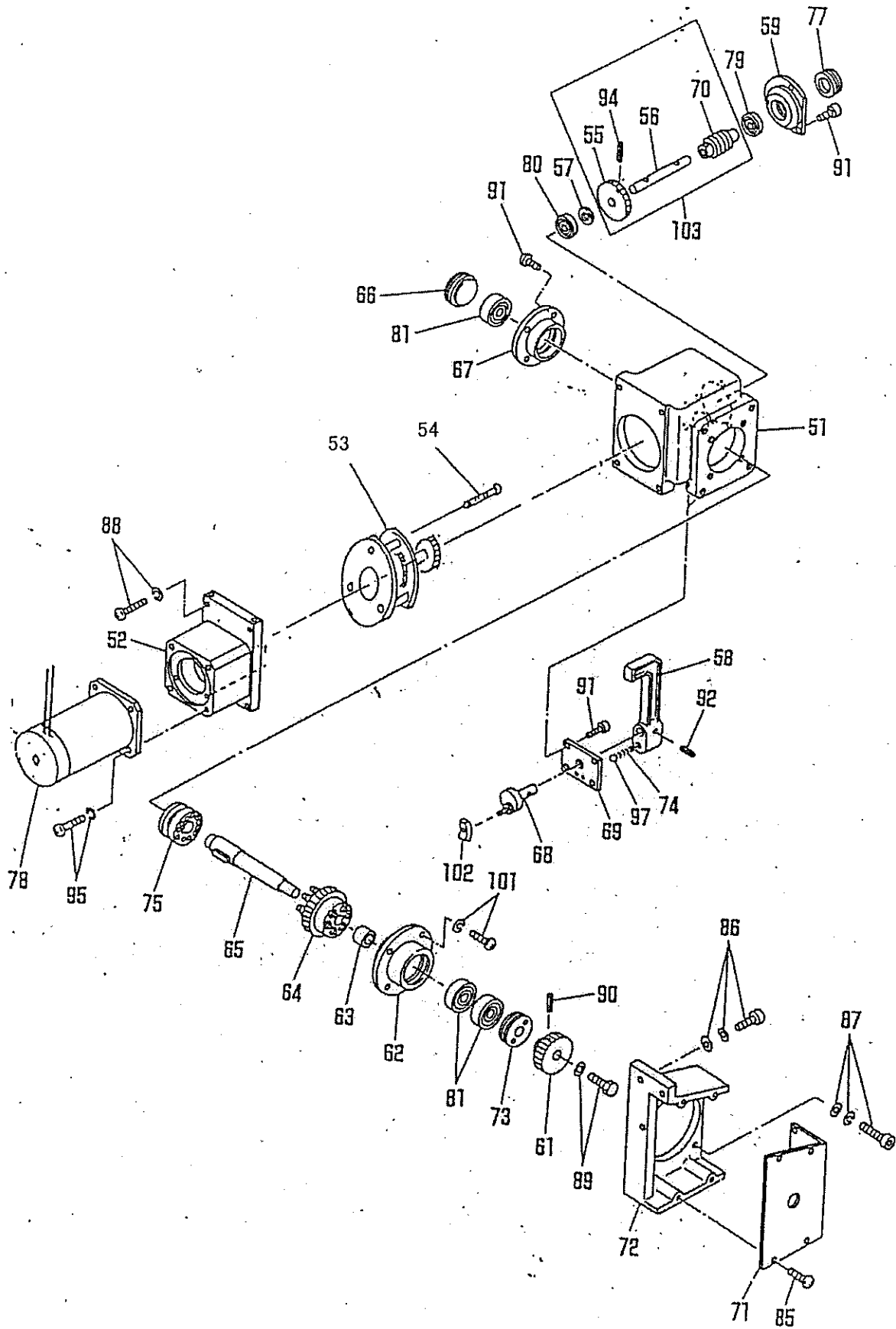
10.1 Main unit



Main unit

Item No.	Part name	Q'ty	Stock No.	Remarks
1	Body	1	60031348	
2	Wheel	4	60031345	
3	Wheel shaft	4	60031346	
4	Slide bracket	1	60031339	
5	Sprocket	1	60031335	
6	Drive gear	1	60031333	
7	Sprocket shaft	1	60031334	
8	Collar (A)	1	60031338	
9	Collar (B)	1	60031336	
10	Collar (C)	1	60031337	
11	Slide shaft	2	60031340	
12	Lift shaft	1	60031341	
13	Upper plate	1	60031342	
14	Spring	1	60031343	
15	Torch Holder base	1	60031349	
16	Torch holder	1	60031351	
17	Washer	1	60031350	
18	Key	1	60031347	
19	Bar	1	60031112	
20	Crossfeed handle assembly	1	60030556	
21	Handle	2	60030223	φ 40
22	Pinion metal	1	60030564	
23	Pinion	1	60030558	
24	Washer	4	60030667	
25	Gradation collar	1	60030906	
26	Pinion assembly	1	60030908	
27	Pinion (A)	1	60030910	
28	Pinion metal (A)	1	60030909	
29	Screw	4	6C510512	SM-5x12
30	Washer	4	6D500120	WF-12
31	Nut	4	6D010120	NH-12
32	Wing bolt	1	60030392	M6x20
33	Screw	2	6C520312	SP-3x12
34	Spring pin	2	6B022516	PR-2.5x16
35	Screw	1	6C520516	SP-5x16
36	Spring pin	1	6B023020	PR-3x20
37	Screw	2	6C540615	SS-6x15
38	Hexagon nut	2	6D010060	NH-6
39	Hex socket head screw	4	6C030518	BC-5x18
40	Bearing	2	60030830	6004ZZ
41	Washer	4	6D500120	WF-12
42	Nut	4	6D010120	NH-12
43	Washer	2	6D500180	WF-18
44	Wing handle	1	60031344	
45	Stop ring	1	6B540100	ETW-10
46	Spring pin	1	6B023025	PR-3x25
47	Wing bolt	1	6C110815	BS-8x15
48	Chain	1	60031101	2.4M
49	Torch holder assembly	1	60031362	
50	Torch holder base assembly	1	60031363	

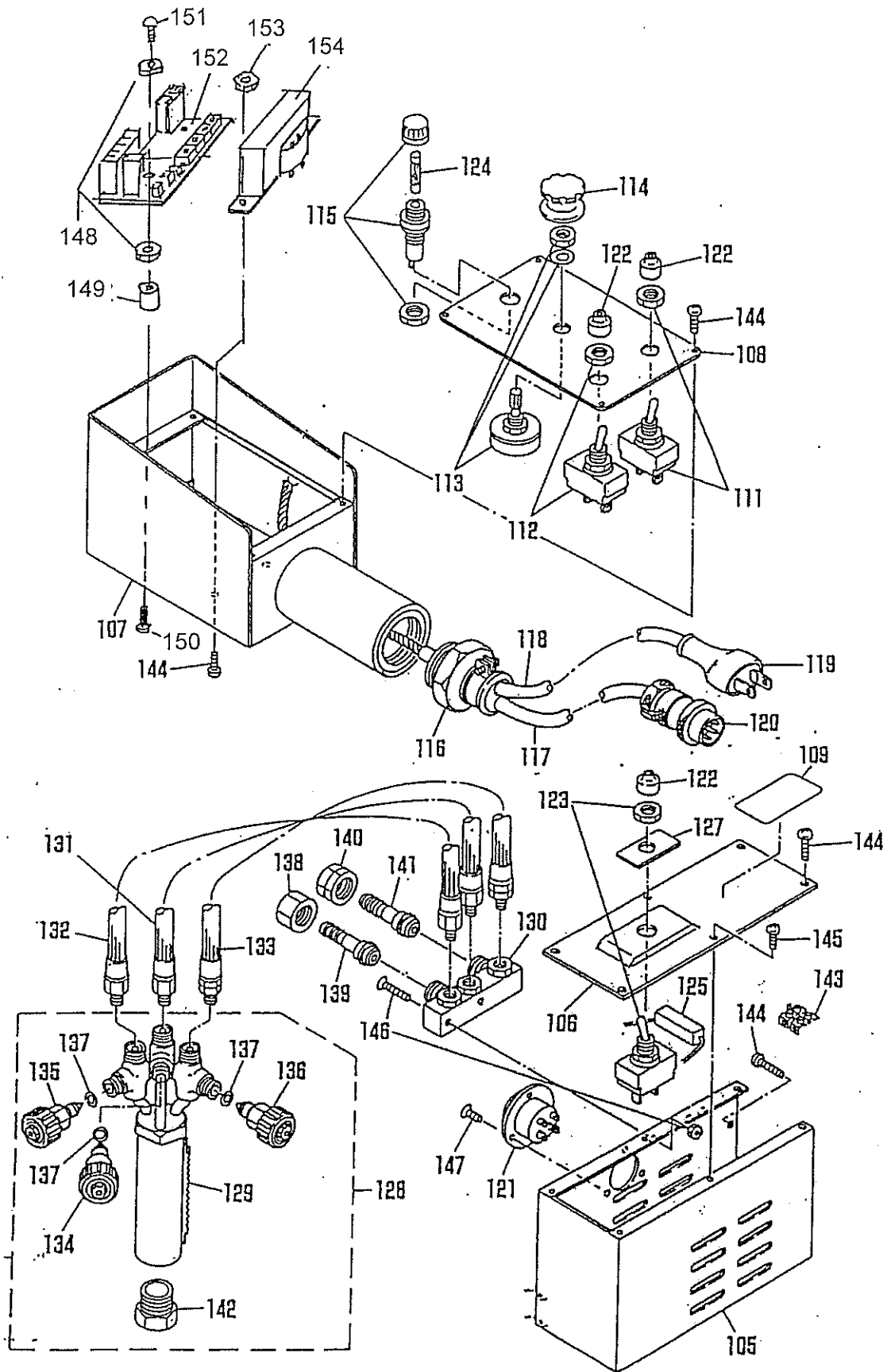
10.2 Driving unit



Driving unit

Item No.	Part name	Q'ty	Stock No.	Remarks
51	Reduction gear box	1	60032400	
52	Casing	1	61000887	
53	Gear Ass'y	1	61001127	
54	Screw	3	6C520320	
55	Gear (B)	1	60032404	
56	Gear shaft (B)	1	60032405	
57				
58	Clutch lever	1	60032407	
59	Casing (D)	1	60032408	
60				
61	Pinion	1	60031312	
62	Casing (A)	1	60031310	
63	Collar	1	60031309	
64	Worm wheel assembly	1	60032464	
65	Drive shaft assembly	1	60031318	
66	Bearing retainer	1	60031306	
67	Casing (B)	1	60031305	
68	Clutch lever shaft assembly	1	60031313	
69	Clutch lever metal	1	60031316	
70	No.2 worm	1	60032463	
71	Gear cover	1	60031319	
72	Gear bracket	1	60031320	
73	Bearing retainer	1	60031279	
74	Lever spring	1	60031236	
75	Gear	1	60031307	
76				
77	Bearing retainer	1	60031014	
78	Motor	1	69000126	DC24V 5000RPM
79				
80	Bearing	2	60030269	608ZZ
81	Bearing	3	60030252	6201ZZ
82				
83				
84				
85	Screw	6	6C520306	SP-3x6
86	Hex socket head screw	4	6C450625	BC-6x25, with WF.WS
87	Screw	4	6C520625	SP-6x25, with WS
88	Screw	4	6C520616	SP-6x16, with WS
89	Hexagon bolt	1	6C010610	BH-6x10, with WF
90	Spring pin	1	6B024020	PR-4x20
91	Screw	11	6C520412	SP-4x12
92	Spring pin	1	6B022520	PR-2.5x20
93	Spring pin	2	6B022514	PR-2.5x14
94	Spring pin		6B022516	PR-2.5x16
95	Screw	4	6C530415	M4x15, with WS
96				
97	Steel ball	1	6F810104	TB-1/4
98	No.6 gear	1	60032497	
99				
100				
101	Screw	4	6C530615	M6x15, with WS
102	Slider	1	60030265	
103	No.2 worm assembly	1	60032469	Double thead

10.3 Electrical and gas unit



Electrical and gas unit

Item No.	Part name	Q'ty	Stock No.	Remarks
105	Motor cover(A)	1	60032422	
106	Motor cover(B)	1	60032423	
107	Control Box	1	61001001	
108	Operation panel	1	60032450	
109	Name plate	1	60032451	
111	Switch	1	60030283	S-333
112	Switch	1	60032427	S-331
113	Variable resistor	1	60030745	50kΩ
114	Grip	1	60031332	
115	Fuse holder	1	60030749	F-7157
116	Cord rock	1	60032428	NC-2
117	Cable cord	1	60030278	3P×5M
118	Cable cord	1	60030278	3P×5M
119	Rubber plug	1	60030280	3P
120	Metal concent (plug)	1	6N100042	7P×φ 25
121	Metal concent (socket)	1	6N100002	7P×φ 25
122	Cap for dust protector	3	60032431	
123	Switch	1	60030822	S-332
124	Fuse	1	6N191010	1A
125	Resistor	1	60031247	
127	Name Plate for switch ON-OFF	1	60032433	
128	Torch	1	60010451	
129	Rack for torch	1	60010203	With screw
130	Distributor	1	60031352	Except USA
	Distributor	1	60031353	USA only
131	Hose for jet oxygen	1	60030305	Except USA_KE
	Hose for jet oxygen	1	60030304	USA only
	Hose for jet oxygen	1	60030305	KE only
132	Hose for preheat oxygen	1	60030305	Except USA
	Hose for preheat oxygen	1	60030304	USA only
133	Hose for gas (Red)	1	60030307	Except USA
	Hose for gas	1	60030308	USA only
	Hose for gas (Orange)	1	61001810	
134	Valve for jet oxygen	1	60015354	Except KE
	Valve for jet oxygen	1	60015358	KE only
135	Valve for preheat oxygen	1	60015355	Except KE
	Valve for preheat oxygen	1	60015358	KE only
136	Valve for gas	1	60015356	
137	O-ring	3	60005026	
138	Nut for oxygen	1	60015001	Except USA_KE
	Nut for oxygen	1	60015056	KE only
139	Hose connector (OX)	1	60015003	Except USA_KE
	Hose connector (OX)	1	60015040	KE only
140	Nut for gas	1	60015002	Except USA_KE
	Nut for gas	1	60015054	KE only
141	Hose connector (GAS)	1	60015004	Except USA_KE
	Hose connector (GAS)	1	60015062	KE only
142	Tip fixing nut	1	60005020	
143	Terminal	1	60031666	
144	Screw	10	6C520406	SP-4x6
145	Screw	4	6C520306	SP-3x6
146	Screw	2	6C510520	SM-5x20
147	Screw	3	6C510304	SM-3x4
148	Isolation washer	4	60036374	WP-1
149	Spacer	2	60036469	SP-5
150	Screw	2	6C570305	M3x5 With WS, WF
151	Screw	2	6C520305	SP-3x5
152	Controller	1	69000105	
153	Nut	2	6D010040	NH-4
154	Transformer	1	61000472	AC100~220V
			61000672	AC230~240V
			61000473	AC42V

11 Cutting data

102(STANDARD SPEED) For Acetylene

PLATE THICKNESS (mm)	TIP SIZE	CUTTING SPEED (mm/min)	OXYGEN PRESSURE (kg/c m ²) / (Mpa)		FUEL GAS PRESSURE (kg/c m ²) / (Mpa)	KERF WIDTH (mm)
			CUTTING	PREHEAT		
3	00	680	1.5 / 0.15	1.5 / 0.15	0.2 / 0.02	1.0
6	0	610	2.0 / 0.2	2.0 / 0.2	0.2 / 0.02	1.3
10	0	560	2.0 / 0.2	2.0 / 0.2	0.2 / 0.02	1.5
12.5	1	530	2.5 / 0.25	2.5 / 0.25	0.2 / 0.02	1.8
19	2	460	3.0 / 0.3	3.0 / 0.3	0.25 / 0.025	2.0
25	2	430	3.0 / 0.3	3.0 / 0.3	0.25 / 0.025	2.0
38	3	355	3.0 / 0.3	3.0 / 0.3	0.25 / 0.025	2.3
50	4	320	3.0 / 0.3	3.0 / 0.3	0.25 / 0.025	2.8

102-D7(HIGH SPEED) For Acetylene

PLATE THICKNESS (mm)	TIP SIZE	CUTTING SPEED (mm/min)	OXYGEN PRESSURE (kg/c m ²) / (Mpa)		FUEL GAS PRESSURE (kg/c m ²) / (Mpa)	KERF WIDTH (mm)
			CUTTING	PREHEAT		
3	00	800	7.0 / 0.7	1.5 / 0.15	0.2 / 0.02	0.8
6	0	740	7.0 / 0.7	2.0 / 0.2	0.2 / 0.02	1.0
10	0	680	7.0 / 0.7	2.0 / 0.2	0.2 / 0.02	1.3
12.5	1	630	7.0 / 0.7	2.5 / 0.25	0.2 / 0.02	1.3
19	2	560	7.0 / 0.7	3.0 / 0.3	0.25 / 0.025	1.5
25	2	510	7.0 / 0.7	3.0 / 0.3	0.25 / 0.025	1.8
38	3	460	7.0 / 0.7	3.0 / 0.3	0.25 / 0.025	2.0
50	4	410	7.0 / 0.7	3.0 / 0.3	0.25 / 0.025	2.6

NOTE

- 1) All pressures are torch inlet pressures.
- 2) Oxygen purity is minimum of 99.7%.
- 3) Depending on the surface condition of the steel plate (scale, paint) either increase the fuel gas pressure or decrease the cutting speed. Also, when precision cutting is required, adjust all data.

106(STANDARD SPEED) For Propane

PLATE THICKNESS (mm)	TIP SIZE	CUTTING SPEED (mm/min)	OXYGEN PRESSURE (kg/c m ²) / (Mpa)		FUEL GAS PRESSURE (kg/c m ²) / (Mpa)	KERF WIDTH (mm)
			CUTTING	PREHEAT		
3	00	680	1.5 / 0.15	1.5 / 0.15	0.2 / 0.02	1.0
6	0	610	2.0 / 0.2	2.0 / 0.2	0.2 / 0.02	1.3
10	0	560	2.0 / 0.2	2.0 / 0.2	0.2 / 0.02	1.5
12.5	1	530	2.5 / 0.25	2.5 / 0.25	0.2 / 0.02	1.8
19	2	460	3.0 / 0.3	3.0 / 0.3	0.2 / 0.02	2.0
25	2	430	3.0 / 0.3	3.0 / 0.3	0.2 / 0.02	2.0
38	3	355	3.0 / 0.3	3.0 / 0.3	0.2 / 0.02	2.3
50	4	320	3.0 / 0.3	3.0 / 0.3	0.25 / 0.025	2.8

106-D7(HIGH SPEED) For Propane

PLATE THICKNESS (mm)	TIP SIZE	CUTTING SPEED (mm/min)	OXYGEN PRESSURE (kg/c m ²) / (Mpa)		FUEL GAS PRESSURE (kg/c m ²) / (Mpa)	KERF WIDTH (mm)
			CUTTING	PREHEAT		
3	00	800	7.0 / 0.7	1.5 / 0.15	0.2 / 0.02	0.8
6	0	740	7.0 / 0.7	2.0 / 0.2	0.2 / 0.02	1.0
10	0	680	7.0 / 0.7	2.0 / 0.2	0.2 / 0.02	1.3
12.5	1	630	7.0 / 0.7	2.5 / 0.25	0.2 / 0.02	1.3
19	2	560	7.0 / 0.7	3.0 / 0.3	0.2 / 0.02	1.5
25	2	510	7.0 / 0.7	3.0 / 0.3	0.2 / 0.02	1.8
38	3	460	7.0 / 0.7	3.0 / 0.3	0.2 / 0.02	2.0
50	4	410	7.0 / 0.7	3.0 / 0.3	0.2 / 0.02	2.6

NOTE

- 1) All pressures are torch inlet pressures.
- 2) Oxygen purity is minimum of 99.7%, propane is minimum of JIS Grade 3.
- 3) Depending on the surface condition of the steel plate (scale, paint) either increase the fuel gas pressure or decrease the cutting speed. Also, when precision cutting is required, adjust all data.

AUTO PICLE- II
(Automatic Pipe Gas-Cutter)
OPERATION MANUAL

KOIKE SANZO KOGYO CO., LTD.

Date of issue: Feb.1996

Printed in Japan

Second : Oct. 2004

Third : Aug.2006

Fourth : May.2007

Fifth : Sep.2007

Sixth : Oct.2008

Seventh : Mar.2009

Eighth : Jun.2009

Ninth : May.2010